



DAL 382 Submittal

NAD Klima Ontario
2840, Argentia Road, Unit 6, Mississauga (Ont) L5N 8G4
(416) 860-1067
ontario@nadklima.com

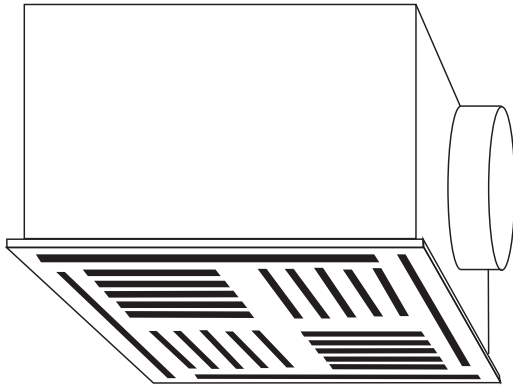
NAD Klima
144 rue Léger, Sherbrooke (Qué) J1L 1L9
(819) 780-0111 • 1 866 531-1739
info@nadklima.com

Date

Project

Engineer

Contractor



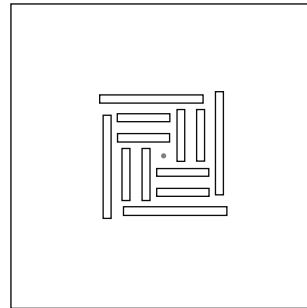
The diffuser

- Made of 20 ga. galvanized steel.
- Square front plate integrated eccentric adjustable rollers.
- The 100 mm long eccentric rollers shall have an alphanumeric identification, which will allow adjustment of the air flow pattern over 180 degrees.
- Adapted to fit regular suspended ceilings or gypsum ceilings.
- powder coated with a polyester TGIC-free paint.
- Easy -o-clean.
- Chip and fade resistant finish.
- Standard colour from the RAL colour chart choose by client.
- Attached to the plenum with a central screw

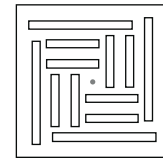
The plenum

- Made and tagged by the diffuser's manufacturer..
- Made of 24 gauge galvanized steel .
- Include a perforated stabilizing (equalizing) plate
- Four suspension points, adhering to paraseismic standards
- Inlet collar centered on the side or on the top of the plenum, and its size calibrated to accommodate the airflow rate
- Joints of the plenum sealed with VOC emission-free caulking.

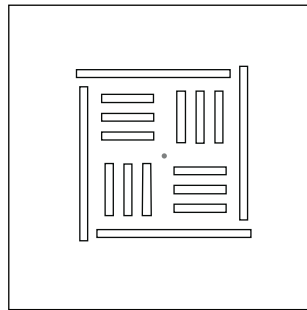
Configuration



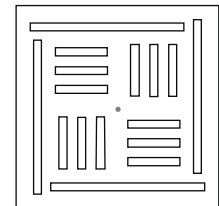
DAL 382 - 300/603



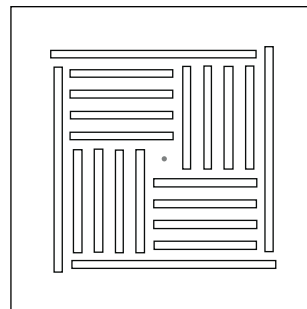
DAL 382 - 300/299



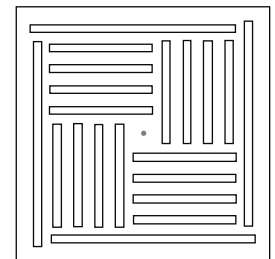
DAL 382 - 400/603



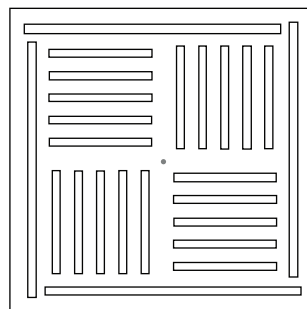
DAL 382 - 400/400



DAL 382 - 500/603



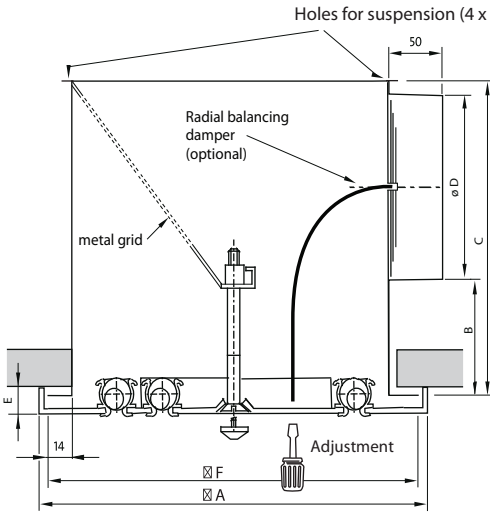
DAL 382 - 500/502



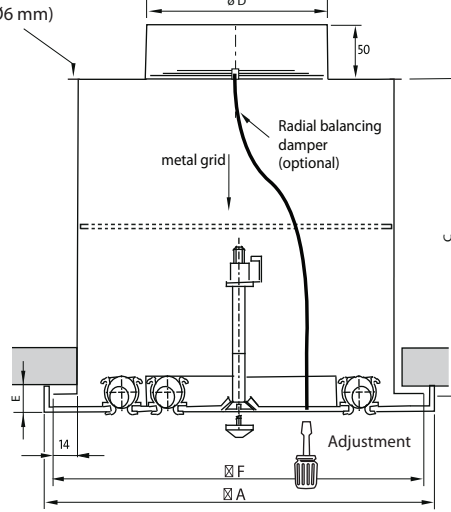
DAL 382 - 600/603

DAL 382- Dimensions and weight

Plenum - side inlet



Plenum - Top inlet



Size DN	300	400	500	600
Size A	299	400	502	603
Size B	51	82	68	66
Size C	251	312	347	411
Size ØD	150	200	250	300
Size E	12	12	12	12
Size F [kg]	296	387	487	584
Weight (kg)	5,0	5,4	7,8	12,7
A _{eff.} (m ²)	0.0107	0.0160	0.0321	0.0400

DAL 382 - Fireproof damper

Size DN	300		400		500		600
Size □A	603	400	603	400	603	502	603
Size C	400	400	400	400	450	450	498
Size ØD	150	150	150	150	200	200	250
Size □F	584	396	584	396	584	488	584
Weight (Kg)	16.7	10.7	16.8	10.9	17.7	14.6	19.2

Note : Balancing damper not available with fireproof damper.

Classified ULC (Underwriters laboratories of Canada), the DAL 382 diffusers with fire resistant dampers have a fire-resistant rating of 3 hours.

The fire-resistant damper is integrated directly to the plenum. This assembly is designed for installation in either a suspended or gypsum ceiling.



LISTED

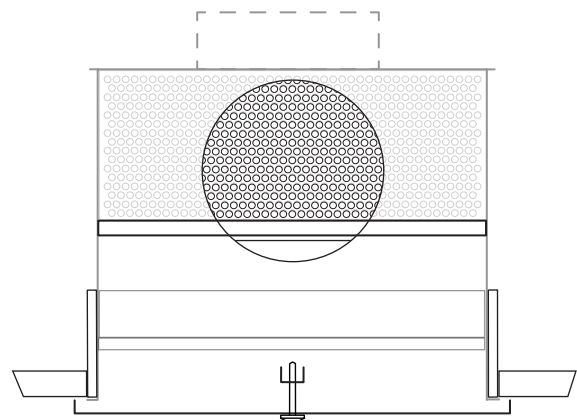
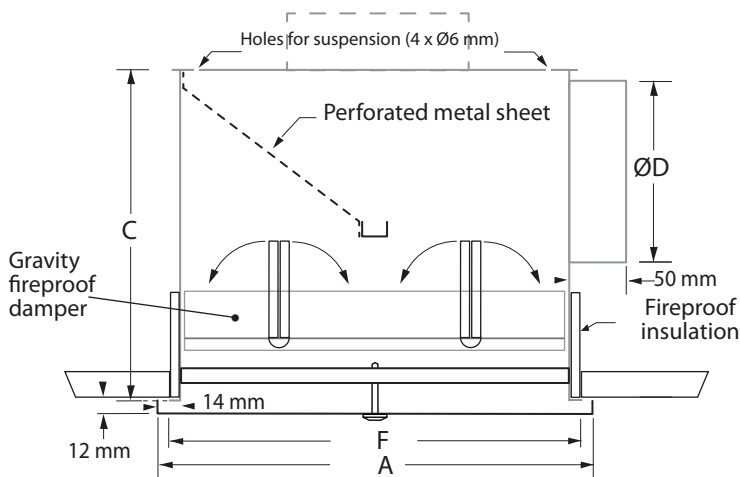
Air Terminal Unit

R38924

CAN/ULC - S112.2 et CAN/ULC - S101



CEILING AIR DIFFUSER
FIRE RESISTANCE CLASSIFICATION
ANSI/UL 555C et ANSI/UL 263



DAL 382 - Codification

DAL 382										Product	
Q = Square										Configuration	
300, 400, 500, 600										Nominal dimension	
299, 400, 502, 603 (603 for 24" x 24" T-bar)										Outer size	
S = Swirl flow V = Vertical flow L = Vertical flow, long reaching B = Roller nozzle (return)										Air flow	
W = White rollers (RAL 9003) C = Cream rollers (RAL 9010) B = Black rollers										Roller color	
9003 = White 9010 = Cream 00SB = Solar Black (Standard black matte) 00SM = Silver Matte (Standard metallic grey) _____ = RAL color (write RAL color number)										Diffuser color	
S = Plenum with side inlet T = Plenum with top inlet X = Without plenum										Plenum	
I = With acoustic insulation A = With closed-cell acoustic insulation X = Without insulation										Acoustic insulation	
F = With fireproof insulation and fire damper (balancing damper not available) X = Without fireproof insulation and fire damper										Fireproof insulation	
R = With radial damper* X = Without damper										Balancing Damper	
DAL382	Q	300	299	S	W	9003	S	X	X	X	Example

Notes:
 Blue: Standard
 *Not available on oval inlet collar